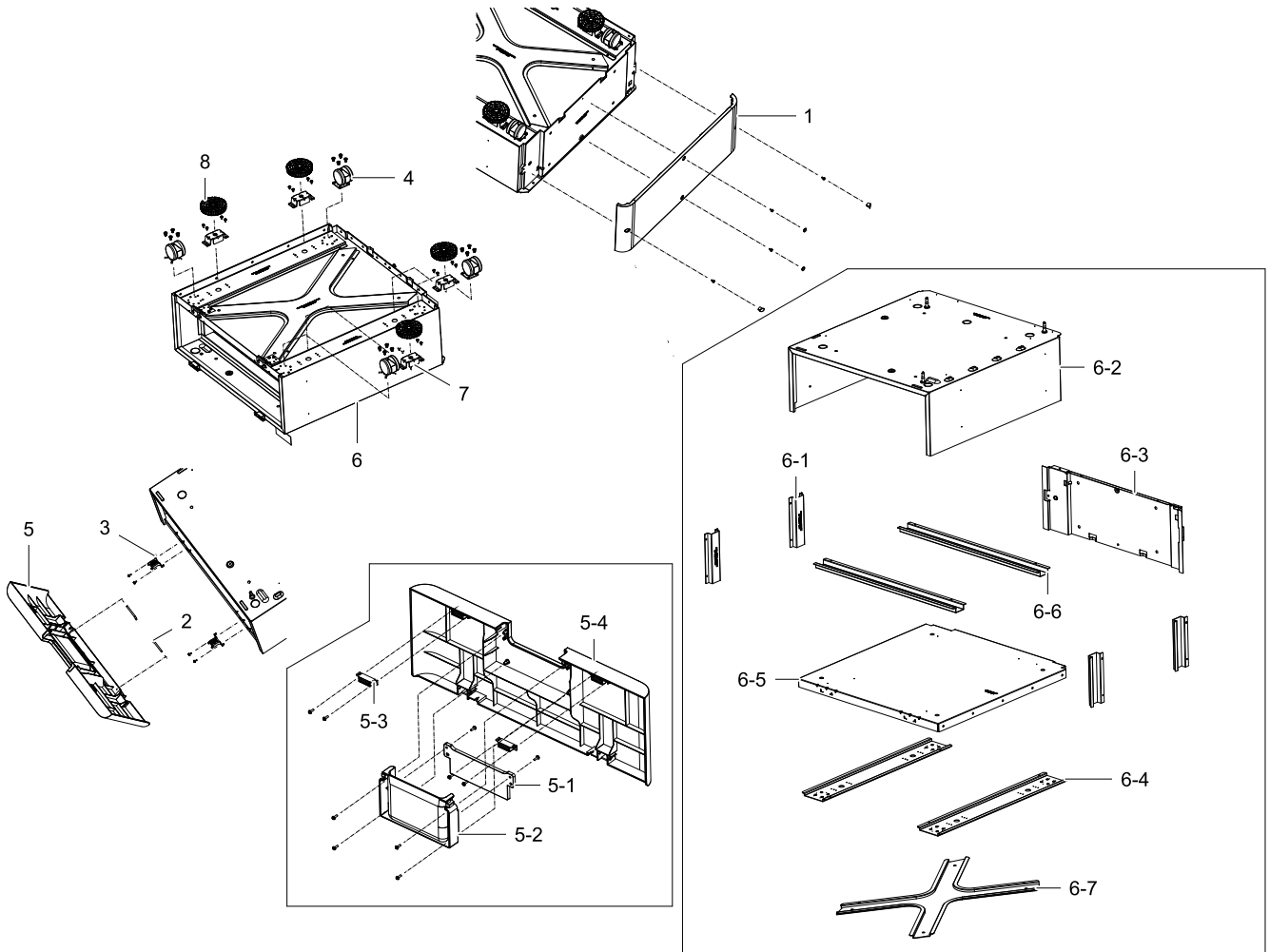


# 1. SL-DSK501T Exploded View

## Exploded View



## Parts List

No.	Lvl.	Loc.	Material Code	Description & Specification	SNA	Qty.
1	2		JC63-04790A	COVER-REAR; K7600,ABS+PC,2.1,210.6,584.4,	SA	1
2	2		JC66-04608A	SHAFT-FRONT PIN; K7600,SUM23,52,15,4,STEE	SA	2
3	2		JC61-06553A	BRACKET-HINGE COVER FRONT; K7600,EGI-SECC	SNA	2
4	2		6109-001138	CASTER; 46,NYLON	SA	4
5	2		JC95-01973A	COVER-FRONT ASSY; K7600	SA	1
5-1	3		JC64-00971A	HANDLE-CASSETTE_ F HCF; K7600,ABS,2,172.5	SNA	1
5-2	3		JC63-04807A	COVER-HANDLE STAND; K7600,ABS,2.5,107.7,1	SNA	1
5-3	3		JC95-01886A	COVER-MAGNET ASSY; CLX-8650ND	SNA	2

## Exploded Views and Parts List

No.	Lvl.	Loc.	Material Code	Description & Specification	SNA	Qty.
5-4	3		JC63-04805A	COVER-DOOR STAND; K7600,ABS,2.5,584.53,19	SNA	1
6	2		JC93-01106A	FRAME MAIN-ASSY; K7600	SNA	1
6-1	3		JC61-06551A	BRACKET-FRAME SIDE; K7600,EGI-SECC,T1.6,5	SNA	4
6-2	3		JC61-06562A	BRACKET-UPPER STAND; K7600,EGI-SECC,T1.2,	SNA	1
6-3	3		JC61-06541A	BRACKET-REAR STAND; K7600,EGI-SECC,T1.2,2	SNA	1
6-4	3		JC61-06550A	BRACKET-PLATE BOTTOM; K7600,EGI-SECC,T1.6	SNA	2
6-5	3		JC61-06582A	FRAME-BASE; K7600,EGI-SECC,1.6,582.6,605,	SNA	1
6-6	3		JC61-06549A	BRACKET-UPPER_SUPT; K7600,EGI-SECC,T1.6,5	SNA	2
6-7	3		JC61-06552A	BRACKET-PLATE_BOTTOM_SUB; K7600,EGI-SECC,	SNA	1
7	2		JC61-04669A	BRACKET-ADJUSTER-PAD; CLX-PFP100,SECC,T2.	SNA	4
8	2		JC61-04871A	GUIDE-ADJUST DCF; CLX-PFP100,ABS,80,HB HF	SNA	4