

7. Exploded Views and Parts List (ML-2571N/ETS)

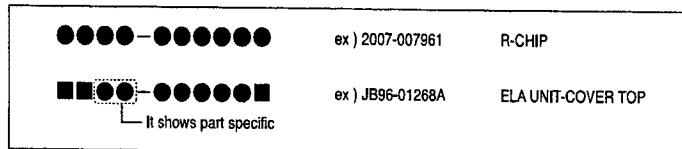
Contents

- 7.1 Main Assembly
- 7.2 Frame Assembly
- 7.3 Fuser Unit
- 7.4 Paper Path Assembly
- 7.5 RX_Drive

Way to observe Part Code & Description

Part code and Description is quoted and controlled by determined standard. Refer to this determined standard, it will help with ordering Part.

- There are two kinds of Part code inscription type.



(● : figure, ■ : character (alphabet))

Type 1 : Controlled by Company : It can be commonly used for all kinds of product SEC produce. Mostly, electronics Parts.

Type 2 : Controlled by Division : It is used or one produce. Mostly, Mostly, mechanical Parts.

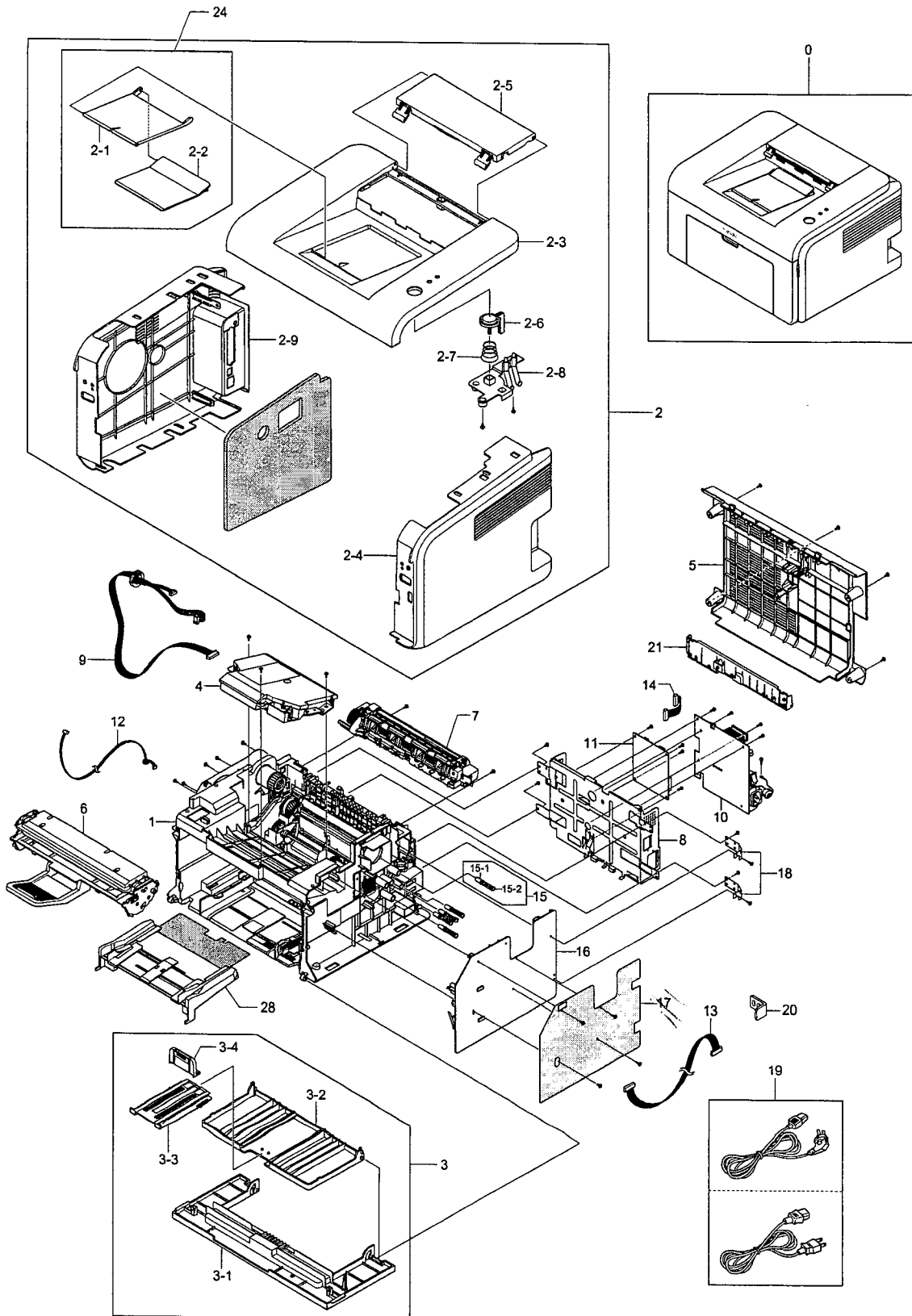
- **A/S privately used part :** It is only used for A/S .

- **Ass'y part :** Assembled by more than 2 Parts. If necessary part is not A/S Part, Ass'y part including necessary par can be used. It is shown in the diagram and drawing of SVC manual.

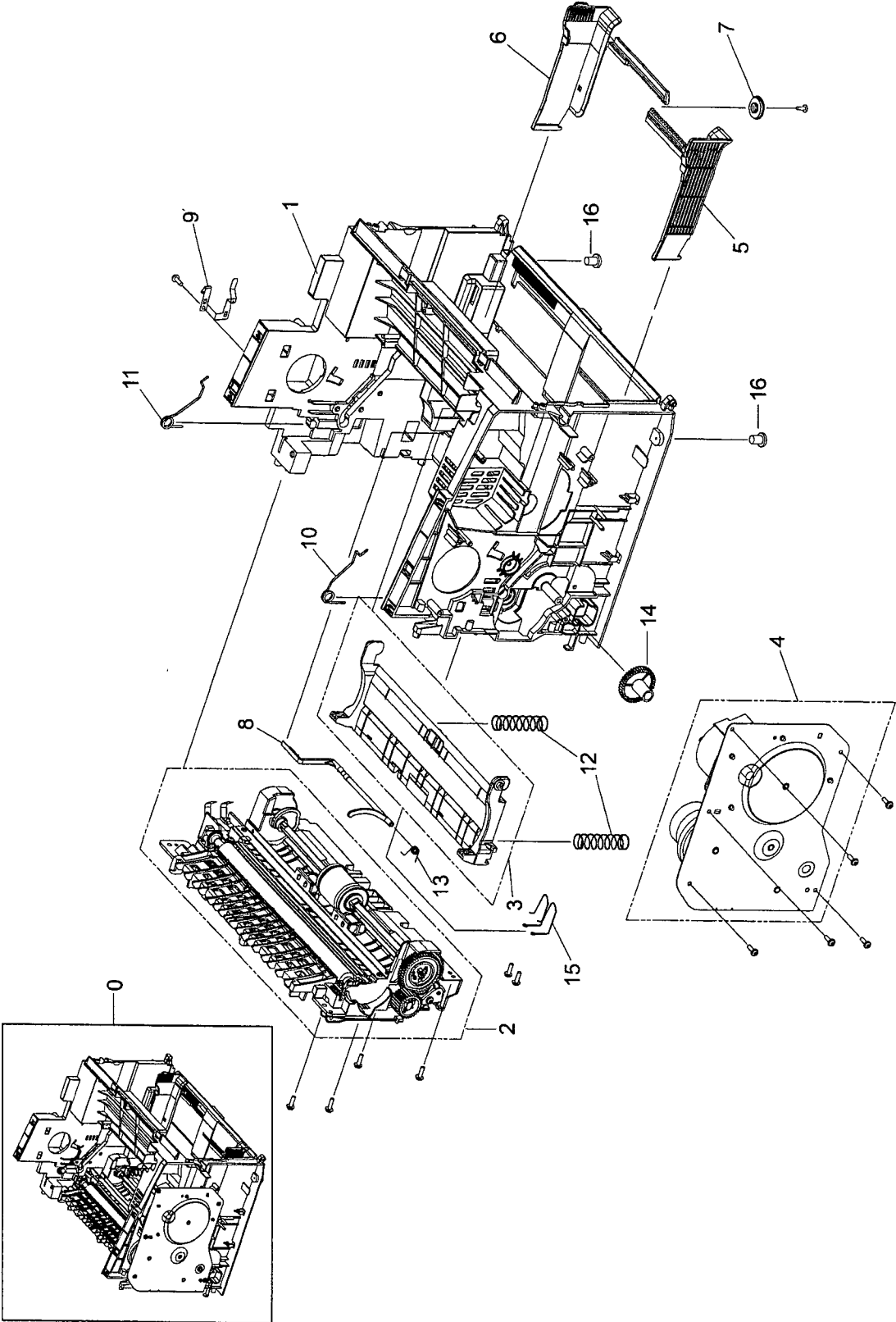
- Ass'y part and A/S privately used Part is distinguished by part Code and Description. The are inscription type 2. It is recognized by Part character and front side of description.

DIVISION	PART CODE	DESCRIPTION
A/S Private	**81-***** (JB81-00039A)	AS-***** (AS-USE)
ASS'Y Part	**75-***** (JB75-00068A)	MEC-***** (MEC-CHUTE)
ASS'Y Part	**92-***** (JB92-01131A)	PBA ***** (PBA MAIN-CONTROLLER)
ASS'Y Part	**97-***** (JB97-01089A)	MEA ***** (MEA UNIT-PULLEY IDLE)

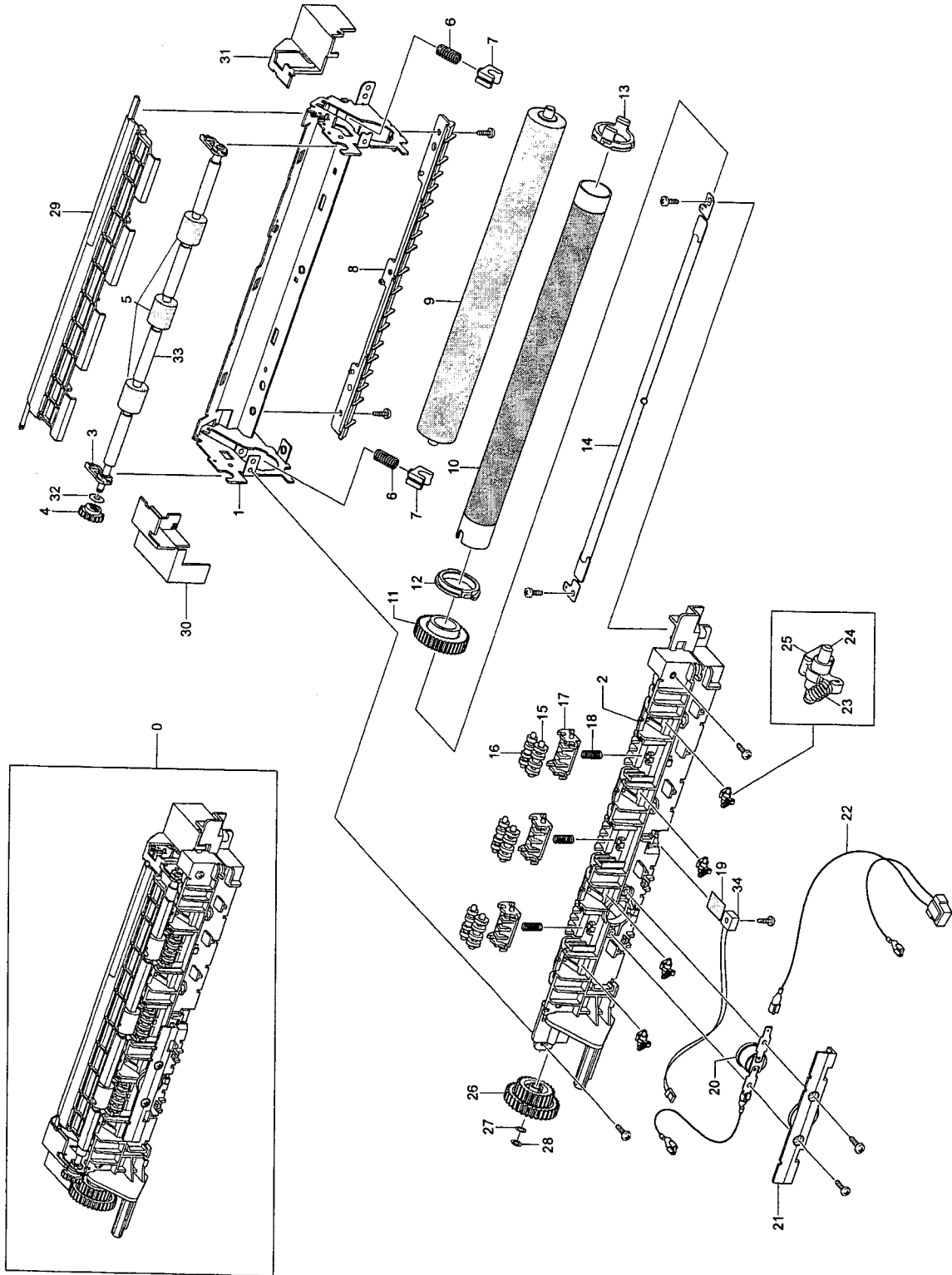
7.1 Main Assembly



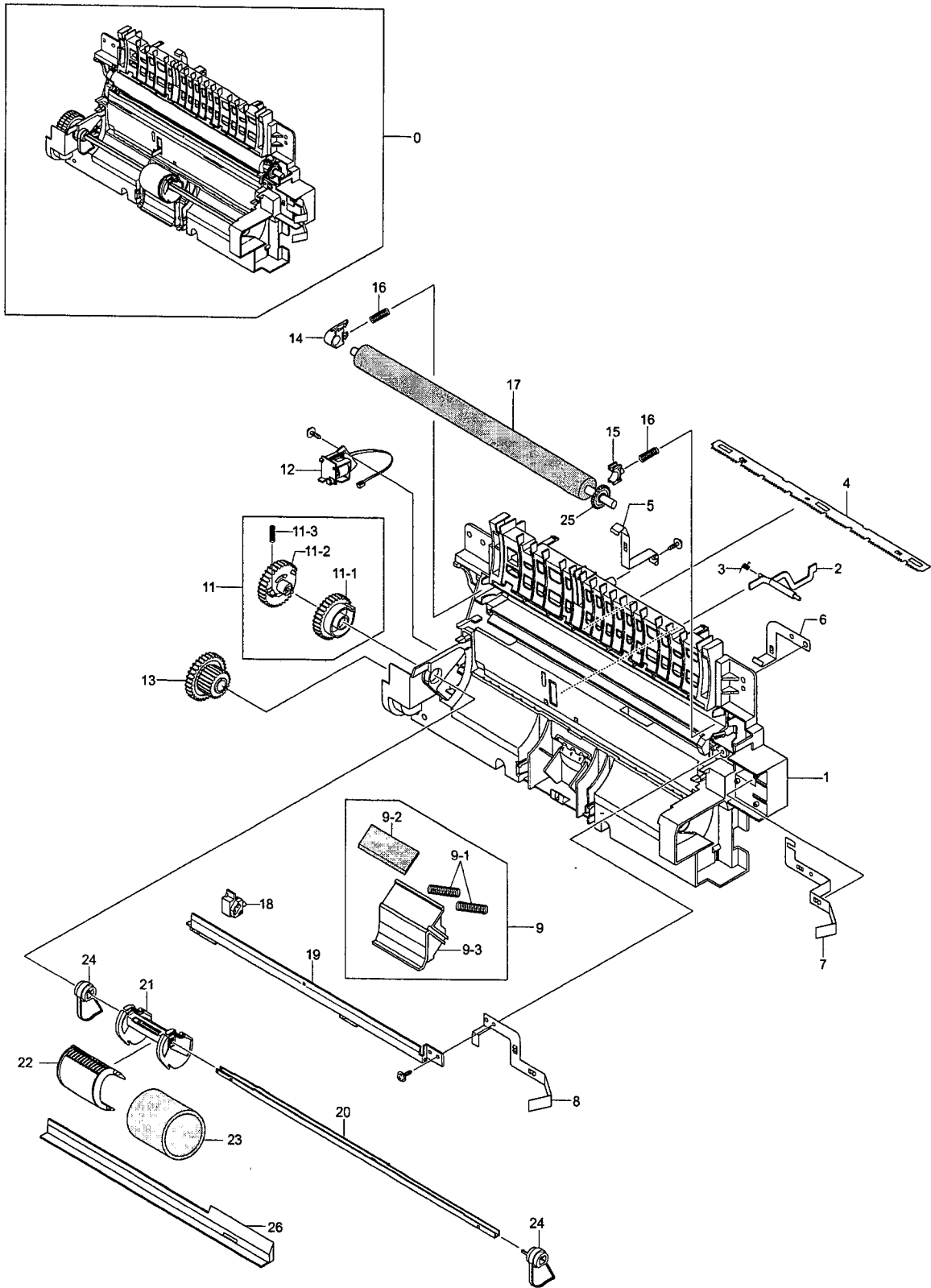
7.2 Frame Assembly



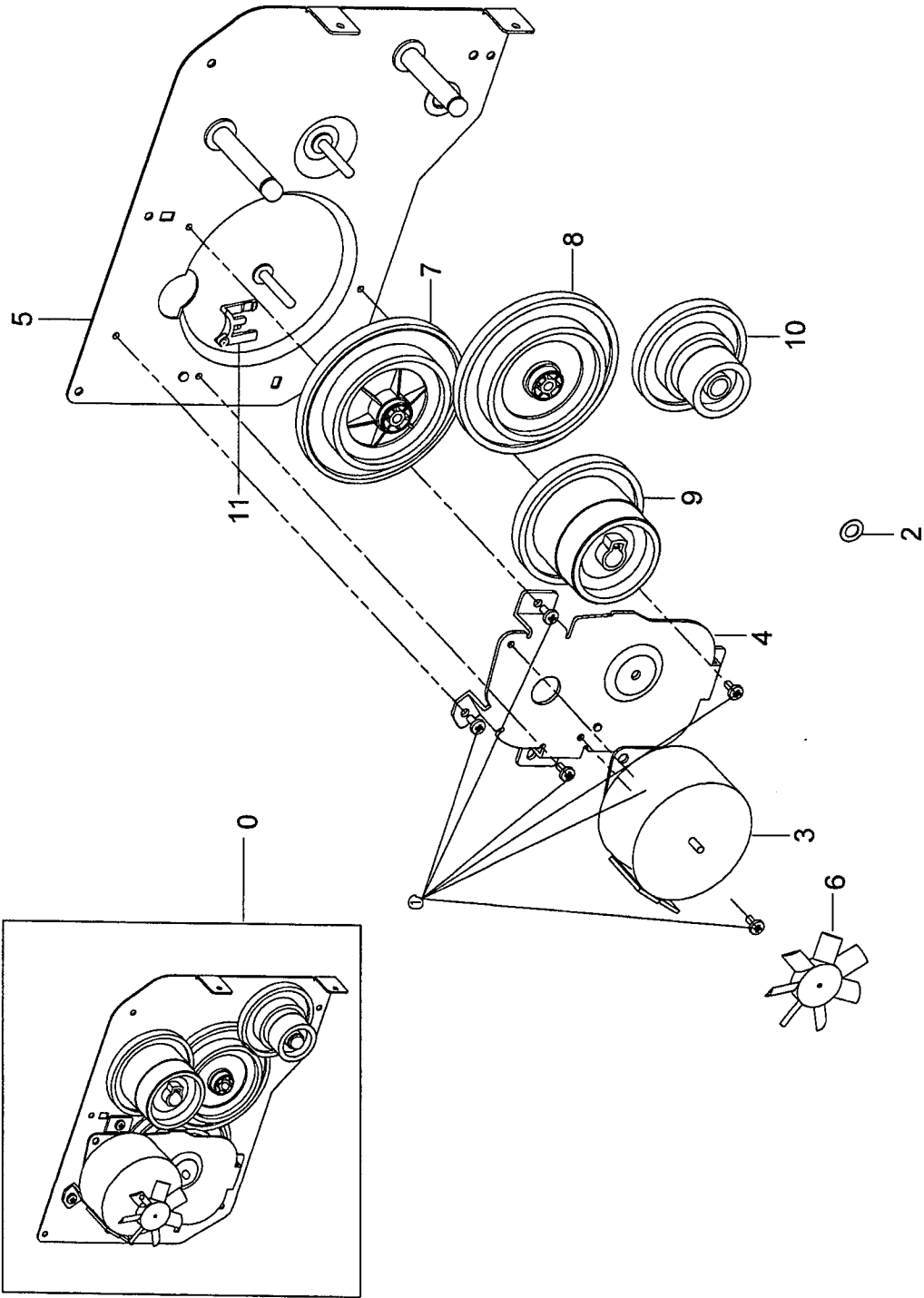
7.3 Fuser Unit



7.4 Paper Path Unit



7.5 RX Drive



Service Parts List (Model code : ML-2571N/ETS)

SA : SERVICE AVAILABLE SNA : SERVICE not AVAILABLE DNA : DELIVERY not AVAILABLE

Drawer#	SEC-Code	Description & Specification	Location	Service
7.1-1	JC96-04023A	ELA UNIT-FRAME LOWER;ML-2571N,SAMSUNG,-,	O1113	SA
7.1-2	JC96-04013A	ELA HOU-COVER;ML-2571N,SEC,ORIOLE,-,-,-,		SNA
7.1-2-1	JC61-01155C	GUIDE-STACKER;ML-2571N,HIPS,2,110.15,110	O1036	SA
7.1-2-2	JC61-01156C	GUIDE-SUB STACKER;ML-2571N,HIPS,2,86,106	O1037	SA
7.1-2-3	JC63-01108A	COVER-M TOP;ML-2571N,HIPS,2,248,245,HB,-		SNA
7.1-2-4	JC63-01105A	COVER-M SIDE R;ML-2571N,HIPS,2,288,239,-	O1060	SA
7.1-2-5	JC63-01103A	COVER-M JAM;ML-2571N,HIPS,2,5,83,222,HB,	O1059	SA
7.1-2-6	JC64-00266A	KEY-M ONLINE;ML-2571N,ABS,18,2,HB,-,-,-		SNA
7.1-2-7	JC66-01242A	ACTUATOR-M JAM;ML-2571N,PC,-,48,6,75,2,-	O1077	SA
7.1-2-8	JC67-00167A	LENS-M LED;ML-2571N,PMMA,TRANSPARENT,L72		SNA
7.1-2-9	JC63-01106A	COVER-M SIDE L;ML-2571N,HIPS,2,288,239,-	O1061	SA
7.1-3	JC97-02654A	MEA UNIT-COVER FRONT;ML-2571N,SAMSUNG,-,	O1118	SA
7.1-3-1	JC63-01104A	COVER-M FRONT;ML-2571N,HIPS,2,5,154.65,3		SNA
7.1-3-2	JC63-00617B	TRAY-CASSETTE;ML-1610,HIPS,2,277,108,HB,		SNA
7.1-3-4	JC63-01112A	TRAY-M EXTENSION S;ML-2571N,HIPS,2,5,38.		SNA
7.1-4	JC96-04065A	ELA UNIT-LSU;ML-2570,-,-,25PPM,600DPI,SI	O1116	SA
7.1-5	JC63-01107A	COVER-M SMPS;ML-2571N,PC/ABS,2,324.6,230	O1062	SA
7.1-6	JC96-03352R	ELA UNIT-DEVE INITIAL;ML-2010,SAMSUNG,EX		SNA
7.1-7	JC96-04062A	ELA HOU-FUSER;ML-2571N,SAMSUNG,-,LAMP,22		SA
7.1-8	JC63-01109A	SHIELD-P ENGINE;ML-2571N,SECC,T0,8,145,3	O1063	SA
7.1-9	JC39-00614A	HARNESS-LSU;ML-2510,CBF,UL1061,14PIN,750	O1025	SA
7.1-10	JC44-00102A	SMPS-WHITENY+(V2C);SCX-4521F,*AC/DC,-,2		SA
7.1-11	JC92-01805A	PBA MAIN-CONTROLLER;ML-2571N,SEC,KOREA,-	O1110	SA
7.1-12	JC39-00405A	CBF HARNESS-MOTOR;ML-1610,CBF HARNESS,UL	O1022	SA
7.1-13	JC39-00400A	CBF HARNESS-HVPS;ML-1610,WIRE HARNESS,UL	O1018	SA
7.1-14	JC39-00613A	HARNESS-SMPS;ML-2510,CBF,UL1061,9PIN,75M	O1024	SA
7.1-15	JC96-01672A	ELA UNIT-TERMINAL TR L;ML-6060A,SEC,220V	O1111	SA
7.1-15-1	JC61-00031A	SPRING ETC--HV LARGE;ML-6060A,SUS 304 WP	O1029	SA
7.1-15-2	JC70-40912A	ICT-SHAFT HV LARGE;ML-5000A,SWCH18A,-,?4	O1100	SA
7.1-16	JC44-00079A	HVPS-SKYLARK,-,24V,21.6V~27.6V,-,MAX 5KV	O1026	SA
7.1-17	JC63-00722A	SHEET-HVPS;ML-1610,PP PP,T0,254,155,201,	O1058	SA
7.1-18	JC63-00631A	GROUND-P-HVPS;ML-1610,SUS304CSP 1/2H,0.2		SNA
7.1-19	3903-000182	CBF-POWER CORD;DT,IL,HP3,C13/C14,250/250		SA
7.1-20	JC61-01726A	PLATE-P CHANNEL;ML-2571N,SECC,1.2,18.5,1	O1051	SA
7.2-1	JC61-01703A	FRAME-M BASE;ML-2571N,PC/ABS,-,-,BLK,2,2		SNA
7.2-2	JC97-02664A	MEA UNIT-PAPER PATH;ML-2571N,SAMSUNG,-,-	O1120	SA
7.2-3	JC97-02670A	MEA UNIT-KNOCK UP;ML-2571N,SAMSUNG,-,-,-	O1123	SA
7.2-4	JC96-04033A	ELA UNIT-RX DRIVE;ML-2571N,SAMSUNG,-,ORI	O1114	SA
7.2-5	JC70-00527A	ADJUST-CASSETTE L;ML-2571N,ABS,2.5T,124.	O1097	SA
7.2-6	JC70-00528A	ADJUST-CASSETTE R;ML-2571N,ABS,2.5T,124.	O1098	SA
7.2-7	JG66-40003A	GEAR-PINION;SF4000,POM,WHT,M1,Z16	O1127	SA
7.2-8	JC66-01257A	ACTUATOR-EMPTY;ML-2571N,PC,-,38,2,98,3,-	O1089	SA
7.2-9	JC63-00622A	GROUND-P-OPC;ML-1610,SUS304CSP 1/2H,0.2,	O1056	SA
7.2-10	JC61-01258A	SPRING ETC-TORSION DEVE L;ML-1610,SUS304	O1038	SA
7.2-11	JC61-01259A	SPRING ETC-TORSION DEVE R;ML-1610,SUS304	O1039	SA
7.2-12	6107-001297	SPRING-CS;SWP,-,PI0.6,D12.6,L50,-,-,ID12		SA
7.2-12	6107-001169	SPRING-CS;SUS304-WPB,-,PI0.55,D9.3,14.25		SA
7.2-13	JB61-00076A	SPRING ETC-TORSION DOC (CC2-F);SCX-1110F	O1013	SA
7.2-14	JC66-00808A	GEAR-FEED DR 41;ML-1610,POM,0.8,41,-,WHI	O1072	SA
7.2-16	JC61-00836A	FOOT-FRONT;ML-1750,NBR,D7,-,11.5,-,-	O1033	SA
7.3-1	JC61-01720A	FRAME-P FUSER;ML-2571N,SECC,-,-,-,1.2,23		SNA
7.3-2	JC63-01126A	COVER-FUSER;ML-2571N,PET+GF30%,2,29.32,3		SNA
7.3-3	JC61-01172A	HOLDER-M-EXIT F/DOWN;ML-1610,PC,T2.0,W18		SNA

SA : SERVICE AVAILABLE SNA : SERVICE not AVAILABLE DNA : DELIVERY not AVAILABLE

Drawer#	SEC-Code	Description & Specification	Location	Service
7.3-4	JC66-00810A	GEAR-EXIT_DRV17;ML-1610,POM,0.8,17,-,BLK	O1073	SA
7.3-7	JC66-10901A	BEARING-PRESSURE/R;ML-165,PPS(RBA313N),-	O1091	SA
7.3-8	JC61-00595A	GUIDE-M-INPUT;ML-1710,PET+GF30%,--,-,BL		SNA
7.3-9	JC66-00600A	ROLLER-PRESSURE;ML-1710,SUM24L+LSR+PFA,2	O1067	SA
7.3-10	JC66-01256A	ROLLER-HEAT;ML-2571N,AL 5052+ PFA COAT,2	O1088	SA
7.3-11	JC66-01254A	GEAR-FUSER;ML-2571N,PPS(OFL4036),0.8,45,	O1086	SA
7.3-12	JC61-00888A	BUSH-M-HR L_R2;SCX-4920N,PPS(RBA313N),25	O1035	SA
7.3-13	JC61-00887A	BUSH-M-HR R_R2;SCX-4920N,PPS(RBA313N),25	O1034	SA
7.3-14	4713-001212	LAMP-HALOGEN;230V,-,750W,-,-,8X284MM		SA
7.3-15	JC66-00824A	ROLLER-M-EXIT MAIN;ML-1610,POM+PTFE20,8.		SNA
7.3-16	JC66-00934A	ROLLER-M_EXIT FR;ML-1610,TEFLON-NTR,6.5,		SNA
7.3-18	6107-001163	SPRING-CS;SUS304-WPB,-,PI0.4,D3.9,L13,-,		SA
7.3-19	1404-001373	THERMISTOR-NTC ASSY;7KOHM,-,3370K,0.3MW/		SA
7.3-20	4712-001032	THERMOSTAT;125/250VAC,15/7.5A,150+-5C,0C	O1011	SA
7.3-21	JC39-00404A	CBF HARNESS-FUSER JOINT;ML-1610,WIRE HAR	O1021	SA
7.3-23	JC61-00064A	SPRING ETC-CLAW;ML-5200A,SUS 304 WPB,?0.	O1032	SA
7.3-25	JC61-01721A	GUIDE-CLAW;ML-2571N,PEEK,2,14,23.35,GREE		SNA
7.3-26	JC66-00801A	GEAR-EXIT_DR38/25;ML-1610,POM,0.8,38/25,		SNA
7.3-27	6031-001051	WASHER-PLAIN;M4,ID4.1,OD7.0,T0.13,*POLY		SNA
7.3-29	JC63-01128A	COVER-FUSER-DUMMY;ML-2571N,PET+GF30%,2,3		SNA
7.3-30	JC63-01130A	COVER-LAMP_L;ML-2571N,PET+GF30%,2,40,28,		SNA
7.3-31	JC63-01129A	COVER-LAMP_R;ML-2571N,PET+GF30%,2,27.55,		SNA
7.3-32	6107-001167	SPRING-CS;SUS304-WPB,-,PI0.25,D3.25,L9.6	Z4318	SA
7.3-33	JC66-01255A	ROLLER-EXIT F/DOWN;ML-2571N,SUM22+EPDM,1	O1087	SA
7.3-34	JC67-00085A	CAP-M-THERMO;ML-1610,PET+GF30%,1.2,11.92		SNA
7.4-1	JC61-01710A	GUIDE-PAPER PATH;ML-2571N,ABS HB,T2.5,15	O1042	SA
7.4-2	JC66-01250A	ACTUATOR-FEED SENSOR;ML-2571N,PC,-,22.2,	O1082	SA
7.4-3	JB61-00107A	SPRING ETC-LEVER SENSOR;SF-430,SUS304,0.	O1014	SA
7.4-4	JC70-10232A	IPR-PLATE SAW;ML-80,SUS304 CSP 1/2H,-,T0	O1099	SA
7.4-5	JC63-00625A	GROUND-P-VARISTOR;ML-1610,SUS304CSP1/2H,		SNA
7.4-7	JC63-00623A	GROUND-P-THV;ML-1610,SUS304CSP 1/2H,0.2,		SNA
7.4-8	JC63-01125A	GROUND-P_SAW;ML-2571N,C5210P,0.2,54.5,49		SNA
7.4-9	JC97-02669A	MEA UNIT-HOLDER_PAD;ML-2571N,SAMSUNG,-,-	O1122	SA
7.4-9-1	JC61-70911A	SPRING ETC-EXIT ROLL FD;ML-165,SUS304 WP	O1053	SA
7.4-9-2	JC69-00987A	PAD-FRICTION;ML-2571N,NBB,T1.0,W8.5,L29,	O1093	SA
7.4-9-3	JC61-01711A	HOLDER-PAD;ML-2571N,PC/ABS,2.5,48,20.8,B	O1043	SA
7.4-11	JC97-02665A	MEA UNIT-PICK UP GEAR;ML-2571N,SAMSUNG,-	O1121	SA
7.4-12	JC33-00015B	SOLENOID-MP_R2;-SCX-4720F,DC24V,-,-,-,-	O1017	SA
7.4-13	JC66-01247A	GEAR-FEED;ML-2571N,POM,0.8,28,-,WHITE,24	O1081	SA
7.4-15	JC72-00102A	PMO-BUSHING_TR(L);SF-5100,POM(CH-15),BL	O1101	SA
7.4-16	JC61-70940A	SPRING ETC-TR(12);ML-5500,-,4.5,-,12.7,1	O1054	SA
7.4-17	JC66-01218A	ROLLER-TRANSFER;SCX-4200,NBR+ECO,15,218m	O1076	SA
7.4-19	JC70-00307A	IPR-P-EARTH TRANSFER;ML-1710,SECC,-,1.0T	O1094	SA
7.4-20	JC66-00829A	SHAFT-P-PICK_UP;ML-1610,SECC,264,T1.2,-,	O1075	SA
7.4-21	JC61-01716A	HOUSING-PICK UP A;ML-2571N,PC+ABS,-,28,2	O1047	SA
7.4-22	JC61-01717A	HOUSING-PICK UP B;ML-2571N,PC+ABS,-,37	O1048	SA
7.4-23	JC73-00239A	RUBBER-PICK_UP;ML-2571N,EPDM+IR,OD29,ID2	O1108	SA
7.4-24	JC66-01258A	CAM-PICK_UP;ML-2571N,POM,22.8,21.5,NTR,-	O1090	SA
7.4-25	JC66-00813A	GEAR-TRANSFER;ML-1610,POM,0.6,24,-,BLK,1	O1074	SA
7.5-1	6003-000269	SCREW-TAPTITE;BH,+,-,S,M3,L6,ZPC(YEL),SW		SA
7.5-1	6003-000196	SCREW-TAPTITE;PWH,+,-,B,M3,L10,NI PLT,SWRC	Z4397	SA
7.5-1	6003-000261	SCREW-TAPTITE;BH,+,-,B,M3,L6,ZPC(YEL),SWRC		SNA
7.5-1	6003-000282	SCREW-TAPTITE;BH,+,-,B,M3,L8,ZPC(BLK),SW		SA
7.5-1	6003-000301	SCREW-TAPTITE;BH,+,-,S,M4,L6,ZPC(YEL),SWRC		SNA
7.5-2	6031-000023	WASHER-PLAIN;-ID5.9,OD10.0,T0.5,BLK,POL		SNA
7.5-3	JC31-00068A	MOTOR STEP;M55SP-3NK,ML-2571N,1.3A,1037P	O1016	SA
7.5-4	JC61-01708A	BRACKET-P_MOTOR;ML-2571N,SECC,T1.6,70.4,		SNA

Parts List

SA : SERVICE AVAILABLE SNA : SERVICE not AVAILABLE DNA : DELIVERY not AVAILABLE

Drawer#	SEC-Code	Description & Specification	Location	Service
7.5-5	JC61-01727A	BRACKET-P GEAR;ML-2571N,SECC,T1.0,145.2,		SNA
7.5-6	JC72-00825A	PMO-IMPELLER DRV;ML-6200,NYLON66,BLK,-,-	O1103	SA
7.5-7	JC66-00804A	GEAR-RDCN 139/83;ML-1610,POM,0.5/0.6,139	O1069	SA
7.5-8	JC66-00805A	GEAR-RDCN 113/83;ML-1610,POM,0.6/0.6,113	O1070	SA
7.5-9	JC66-01244A	GEAR-FUSER DRIVER;ML-2571N,POM,0.6/0.8,8	O1078	SA
7.5-10	JC66-00806A	GEAR-OPC DR 76/38/29;ML-1610,POM,0.6/0.8	O1071	SA
7.5-11	JC60-00023A	SPACER-GEAR;ML-2571N,POM, M90-44,17,-,-,	O1028	SA
#N/A	JC68-01709A	MANUAL-INSTALL;ML-2570,SEC,16,WORLDWIDE1		SNA
#N/A	JC69-00978L	BOX-MAIN;ML-2571N/SEE,OFFSET3,A-1,359,42		SA
#N/A	JC96-04014A	ELA HOU-ENGINE;ML-2571N,SEC,-,-,-,-,-		SNA
#N/A	JC97-02239C	MEA UNIT-MP TRAY;ML-2571N,SEC,-,-,-,-,-	O1117	SA
#N/A	JC97-02655A	MEA UNIT-COVER TOP;ML-2571N,SAMSUNG,-,-,	O1119	SA
#N/A	JC99-01985J	INA-ACCESSORY;ML-2571N/ETS,SEC,ISRAEL,OR		SNA
#N/A	JC99-01987A	PAA-PACKING;ML-2510,XAA,-,PACKING,-,-		SNA
#N/A	JC99-01988H	PAA-LABEL;ML-2510/ETS,-,-,-,-,-		SNA
#N/A	0201-001183	ADHESIVE-AA;ARON ALPHA #202F,NTR,100,20G		SNA
#N/A	0202-001240	SOLDER-WIRE;HSE-01,-,D3,SN/0.5CU/0.03NI/		SNA
#N/A	0202-001492	SOLDER-WIRE FLUX;HSE-02 LFM48 SR-34 S,-,		SNA
#N/A	0203-000007	TAPE-FILAMENT;3M,T0.15,W18,L55M,TRP		SNA
#N/A	0203-001100	TAPE-OPP MASKING;OPP/W75/CLR,T0.05,W75,L		SNA
#N/A	0203-001189	TAPE-ACETATE;#810,T0.05,W12,L65000,TRP,-		SNA
#N/A	0204-000469	THINNER;#4662,-,0.795,-		SNA
#N/A	0204-002978	FLUX;KSP-70M,-,84%,FLUX,SPRAY		SNA
#N/A	0205-001003	GREASE-BEARING;NYOGEL788,DAMPING GREASE,		SNA
#N/A	0402-000129	DIODE-RECTIFIER;1N4003,200V,1A,DO-41,TP		SA
#N/A	0502-000245	TR-POWER;KSB1151-Y,PNP,1.3W,TO-126,-,16		SA
#N/A	2005-000168	R-WIRE WOUND,NON;0.22ohm,5%,2W,AA,BK,4x1		SA
#N/A	2401-001185	C-AL;33uF,20%,35V,GP,TP,5x11,5		SNA
#N/A	2801-003886	CRYSTAL-UNIT;12MHZ,50ppm,28-AAA,16pF,50o		SNA
#N/A	2801-004414	CRYSTAL-UNIT;25MHZ,50PPM,HC-49/S,12PF,50		SNA
#N/A	3702-000118	CONNECTOR-RIBBON;36P,FEMALE,ANGLE,AU		SNA
#N/A	3711-002001	HEADER-BOARD TO CABLE;BOX,20P,2R,2MM,STR		SA
#N/A	3711-002810	HEADER-BOARD TO CABLE;BOX,9P,1R,2mm,STRA		SNA
#N/A	3711-003035	HEADER-BOARD TO CABLE;BOX,14P,2R,2mm,STR		SA
#N/A	3711-003408	HEADER-BOARD TO CABLE;BOX,2P,1R,2mm,STRA		SNA
#N/A	3711-003409	HEADER-BOARD TO CABLE;BOX,3P,1R,2mm,STRA		SNA
#N/A	3711-003410	HEADER-BOARD TO CABLE;BOX,4P,1R,2mm,STRA		SNA
#N/A	3711-003942	HEADER-BOARD TO CABLE;BOX,2P,1R,2MM,STRA		SA
#N/A	3711-003968	HEADER-BOARD TO CABLE;BOX,3P,1R,2.5mm,ST		SA
#N/A	3711-003969	HEADER-BOARD TO CABLE;BOX,2P,1R,2.5mm,ST		SNA
#N/A	3722-002303	JACK-USB;4P/1C,AU30U,BLK,ANGLE,B TYPE		SA
#N/A	3722-002376	JACK-MODULAR;8P/8C,STANDARD,Y,ANLGE,YEL/		SA
#N/A	6001-000568	SCREW-MACHINE;PH,+ ,M3,L8,NI PLT,SWRCH18A		SA
#N/A	6002-000440	SCREW-TAPPING;PWH,+ ,-,2,M3,L8,ZPC(BLK),S		SA
#N/A	6044-000001	RING-CS;ID3,OD3,T0.25,BLACK,SUS304		SNA
#N/A	6103-000117	SUPPORTER;DACN-6N,L10,NTR,NYLON66		SNA
#N/A	6902-000288	BAG PE;T0.05,W250,L450,TRP,8,2,-		SNA
#N/A	6902-000437	BAG PE;T0.015,W900,L800,TRP,8,4,PE MARK		SNA
#N/A	6902-000455	BAG CONDUCTIVE;T0.1,W200,L450,BLK,-,-,-		SA
#N/A	JB68-00073A	LABEL(R)-BAR CODE,SF-3000,PY,38X6.5,T0.1		SNA
#N/A	JB68-00816A	LABEL(P)-TEL NO.(SET);COMMON,ETS,-,-,64,		SNA
#N/A	JB68-00916A	LABEL RATING-BLANK;SF-340,SEC,TETRON,0.0		SNA
#N/A	JC02-00043A	TONER-GRINDED;ML-1610,TUFTONE YS-4,-,8.8		SNA
#N/A	JC31-00027A	FAN-DC HUMMINGBIRD;- ,ML-1710,-,-,-	O1015	SA
#N/A	JC39-00228A	CBF HARNESS-GND;SF-530/XEU,CBF,UL 1007 A		SNA
#N/A	JC39-00401A	CBF HARNESS-FUSE;ML-1610,WIRE HARNESS,UL	O1019	SA
#N/A	JC39-00403B	CBF HARNESS-FUSER(220V);ML-1610,WIRE HAR		SA