

Videowall Installation Guide

May. 2021

**Global Tech Sales Group
Enterprise Business Team**

Follow the instructions provided in this guide when installing the product.
Samsung will not provide warranty coverage for problems that may arise from following the guide improperly.
All images in guide have been used for illustration purpose only, actual product may vary in color, shape and other aspects.
This document is subject to change without prior notice when necessary to improve the product.

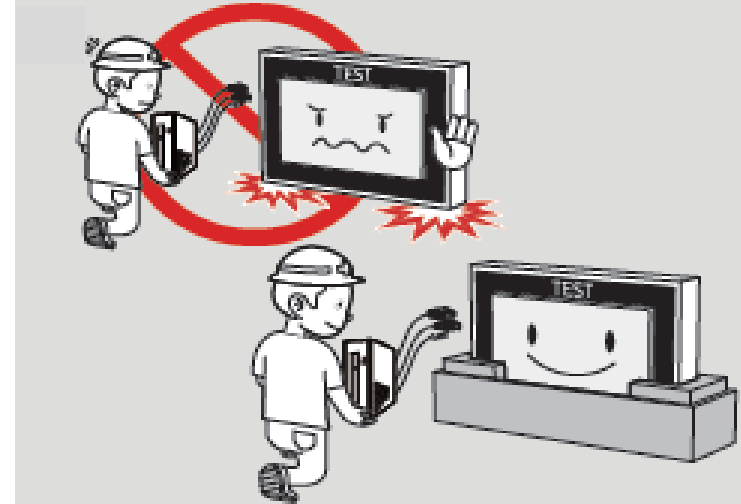
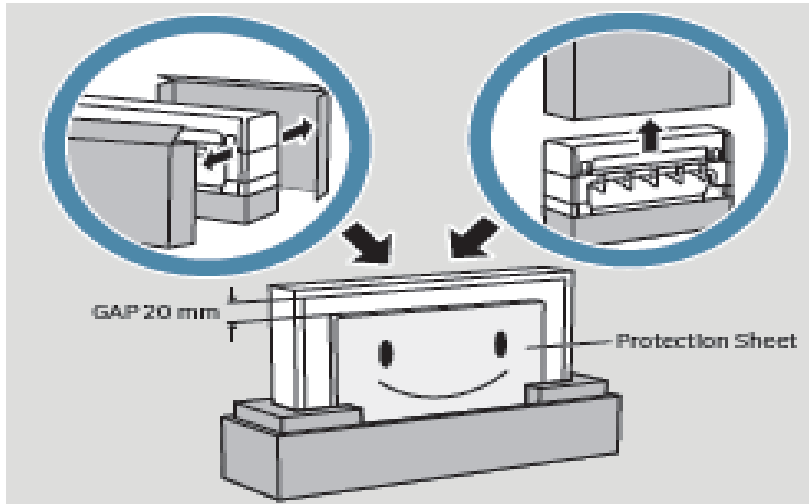
Content

- 1. Preparation for Installation**
- 2. On Installation**
- 3. Thermal Guide**

1. Preparation for Installation

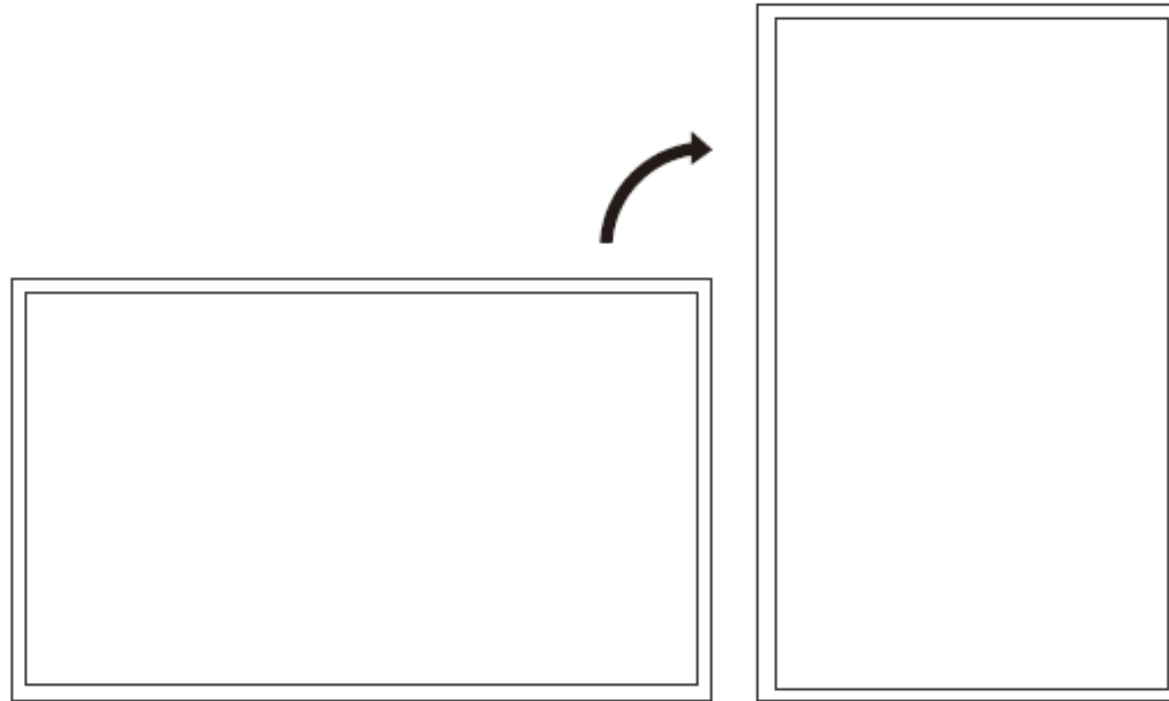
1. Preparation for Installation : 1) Visual inspection

- Please use the bottom box during the check
- Please check the panel condition right after un-boxing and connecting source signal to the screens



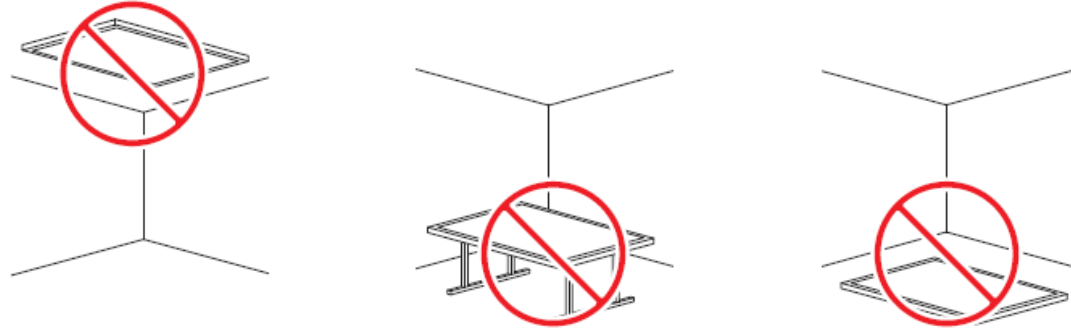
1. Preparation for Installation : 2) Rotation

- To use the product in portrait orientation, rotate it clockwise



1. Preparation for Installation : 3) Non-Installation Condition

- Do not use this model installed on a ceiling, floor, or table



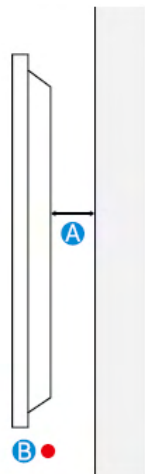
- Do not use this model inclined backward or forward



- This model is intended for indoor use only. Do not use this model as outdoor purpose.
- Do not expose the panel as a whole or partially to the direct sunlight.

1. Preparation for Installation : 4) Ventilation(1/2)

- Installation on a Perpendicular wall
 - The ventilation of the video-wall product must not be blocked by a wall mount or any surrounding structures. Check the real product or a 3D drawing for the positions of the product's ventilations.
 - For wall-mounting, ensure the clearance from the wall as shown below.



Side view

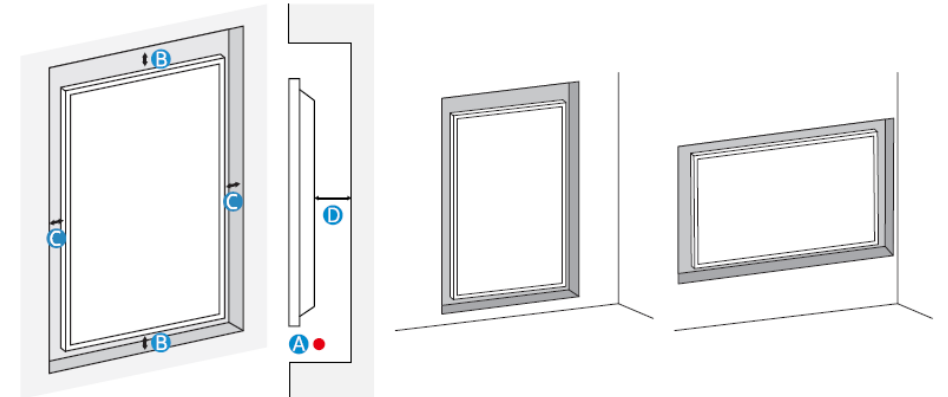
(A) minimum clearance	(B) ambient temperature for operation
15 mm	0~35 °C
50 mm	0~40 °C

※ For further ventilation Information for Video Wall, please refer to Chapter3 Thermal guide.

1. Preparation for Installation : 4) Ventilation(2/2)

- Installation on an Indented wall
 - The ventilation of the video-wall product must not be blocked by a wall mount or any surrounding structures. Check the real product or a 3D drawing for the positions of the product's ventilations.
 - Ensure the clearance from the wall as shown below.

(A) ambient temperature	(B) minimum clearance	(C) minimum clearance	(D) minimum clearance
0~40 °C	80 mm	15 mm	50 mm
0~35 °C	25 mm	0 mm	15 mm
0~30 °C	10 mm	0 mm	15 mm

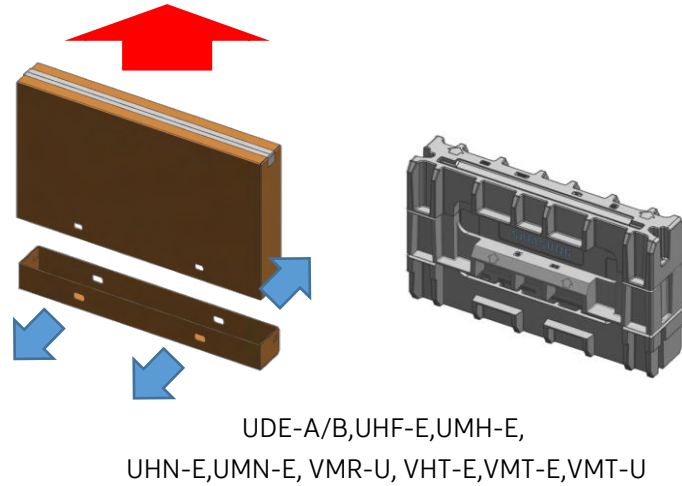


※ For further ventilation Information for Video Wall, please refer to Chapter3 Thermal guide.

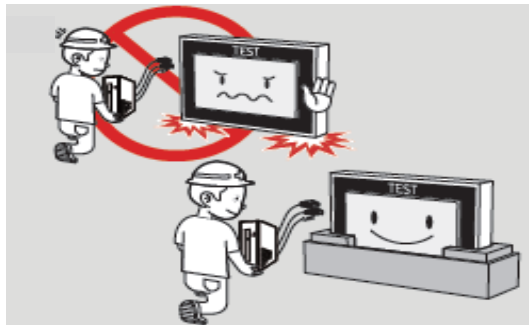
2. On Installation

2. On Installation : 1) Un-boxing & Screen Inspection

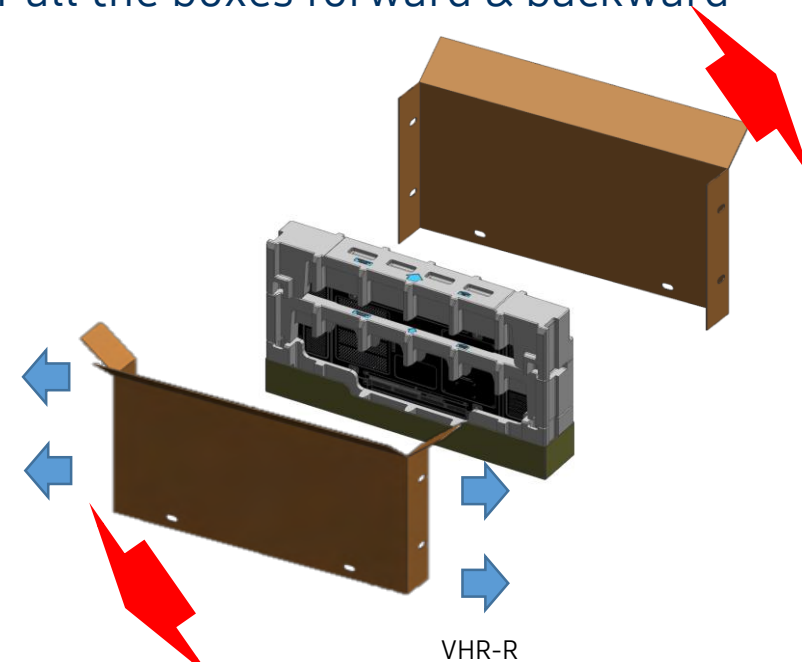
- After detaching 4 Box Holders at bottom,
Pull the upper box upward



- Screen Inspection with bottom Box & Cushion



- After detaching 4 Box Holders left & right
Pull the boxes forward & backward



Unboxing by using the previous way (mentioned left) can be used, but the recommendation is this way as less impact possibility to the product

2. On Installation : 2) Important Notice



※ It is considered as “On Installation” stage when attaching the Wall Bracket Assy.

So, if the Seal is broken, all the following issues are under the Installer’s responsibility. Samsung recommend to act the inspection for defining of dead on arrival.

WARNING : Please ensure this product is inspected by yourself (to identify if there are any defects) prior to any installation.

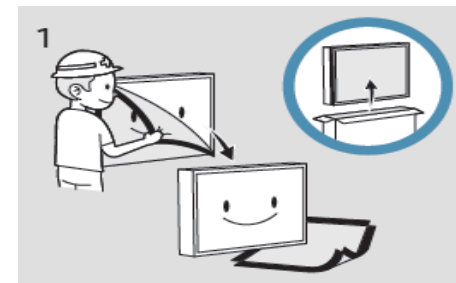
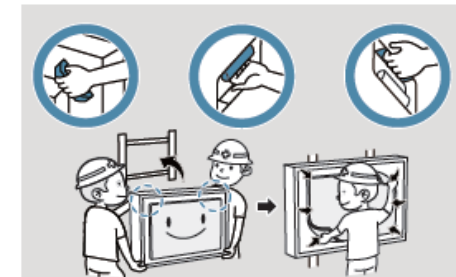
Any defect should be brought to the attention of Samsung as soon as discovered. Please do not install the product if it appears to have a defect.

Any damage caused by carelessness in the process of installing the product will be treated as damage caused by yourself (and not a product defect).

To determine whether or not this product has been installed Samsung will view evidence of the screw hole label being pierced (as well as any other cosmetic evidence of an installation).

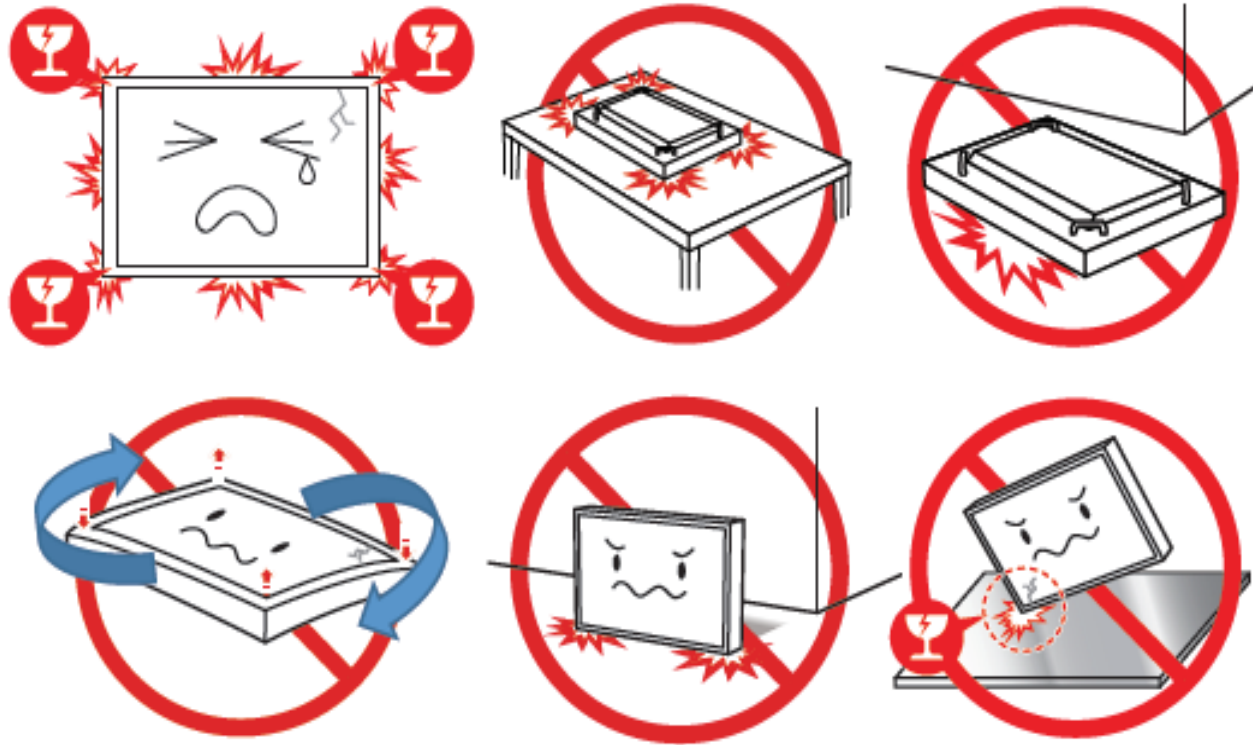
2. On Installation : 3) Wall-mounting

- 2 persons should move & install the product
 - Use the handle when moving
 - Do not touch the panel & bezel when moving
- Panel Protection Sheet should be detached right before the installation
 - Detach it from upward to downward direction
 - The Sheet can be used as mat



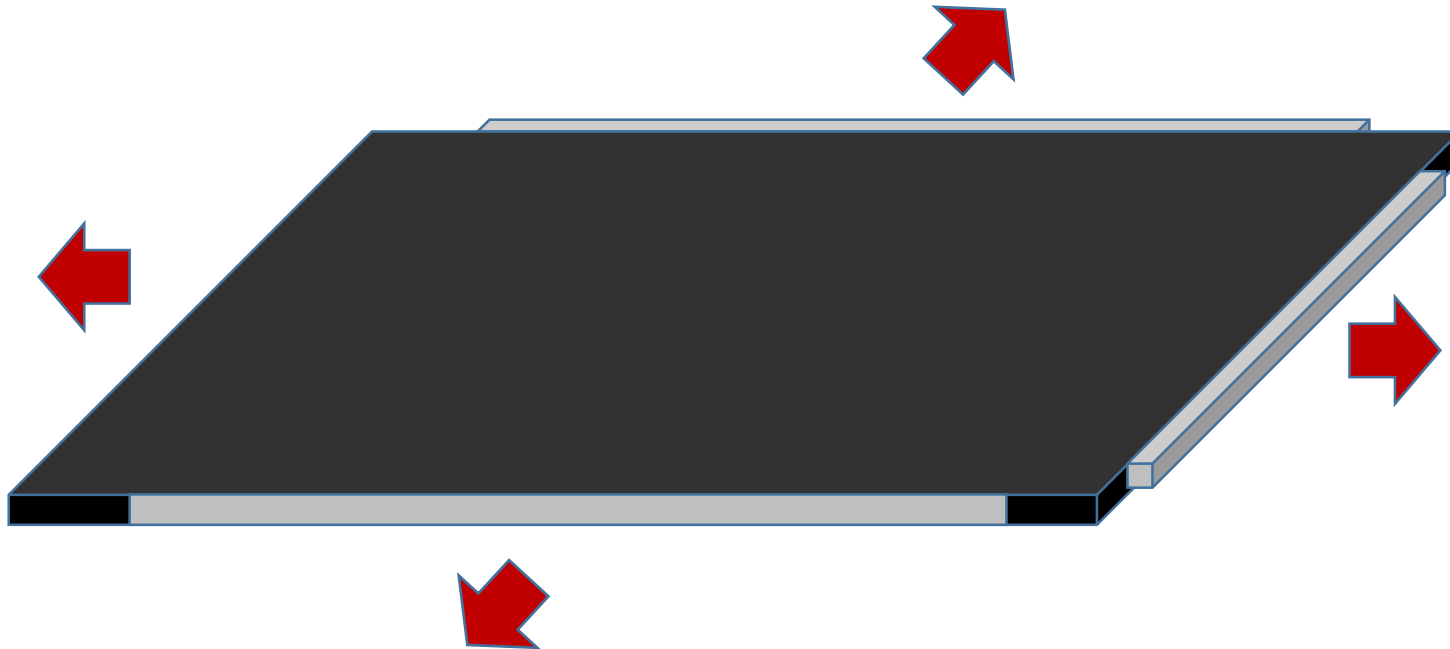
2. On Installation : 4) Cautions during handling

- Be cautious on impact, especially the edges of the product



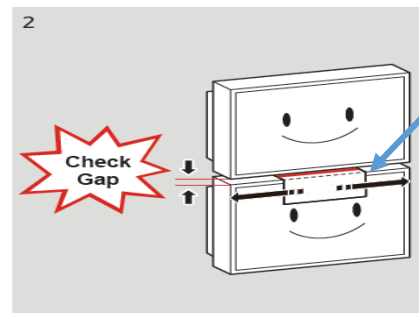
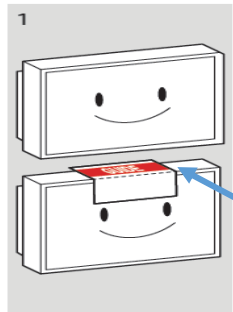
2. On Installation : 5) Detaching the sponges (VHR-R)

- VHR-R has the sponges on four faces in bezel side
- Detach them before installing



2. On Installation : 6) Reserve the GAP when installing(All products)

- Use the GUIDE(see below, attached on the panel) to reserve the Gap between products
- VHR-R has the sponges on four faces in bezel side
- Use handles on the rear side of a screen as depicted in the picture below while moving



GUIDE

USE THIS PAPER FOR INSTALLATION

GUNAKAN DOKUMEN INI UNTUK PEMASANGAN
UTILISEZ CETTE FICHE POUR L'INSTALLATION
VERWENDEN SIE DIESES PAPIER FÜR DIE MONTAGE
HASZNÁLJA EZT A PAPIRT A FELSZERELÉSHEZ

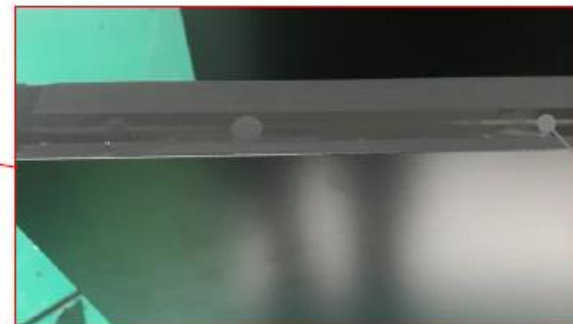
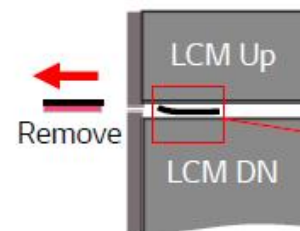
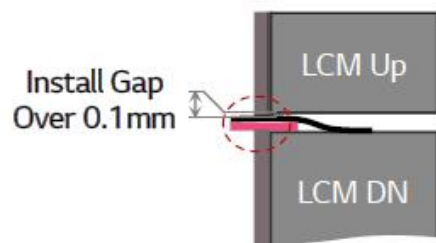
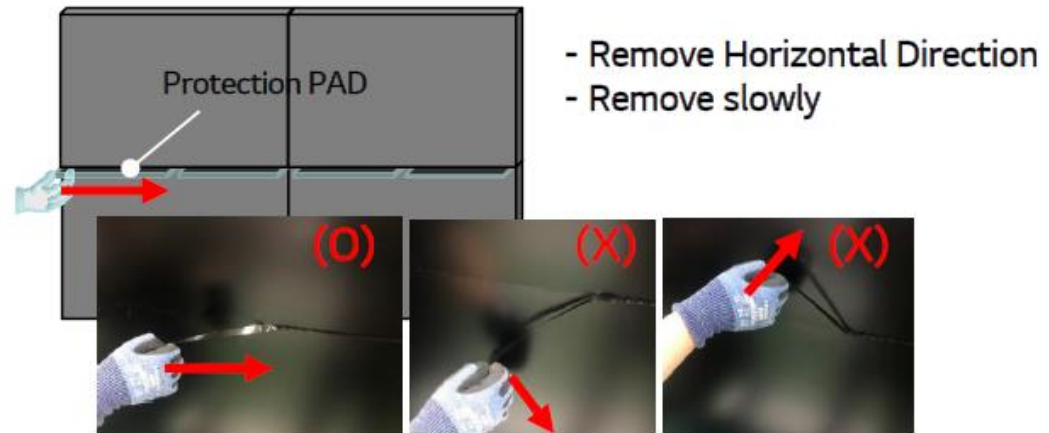
UTILIZZARE QUESTO FOGLIO PER L'INSTALLAZIONE
OPHATY YSHIH OCY QAFAZDЫ PAЙДАЛAНЫЫЗ
PODCZAS MONTAŻU KORZYSTAĆ Z TEGO DOKUMENTU
UTILIZE ESTE DOCUMENTO DURANTE A INSTALAÇÃO

在安装时, 请使用本文
使用本文件进行安装
설치를 위해 이 용지를 사용하세요
ИСПОЛЬЗУЙТЕ ЭТУ БУМАГУ ДЛЯ УСТАНОВКИ

UTILICE ESTE DOCUMENTO PARA LA INSTALACIÓN
ANVÄND DET HÄR PAPPERET FÖR INSTALLATION
KURULUM İÇİN BU BELGEYİ KULLANIN
استخدم هذا المستند للتثبيت

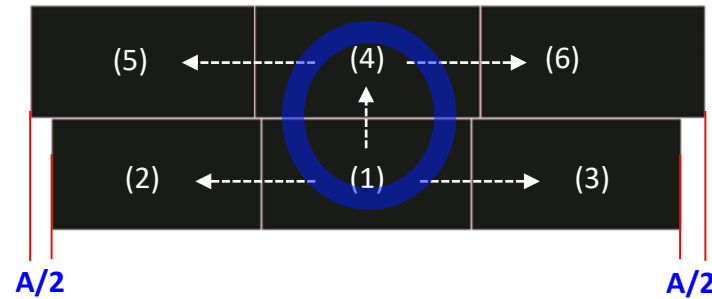
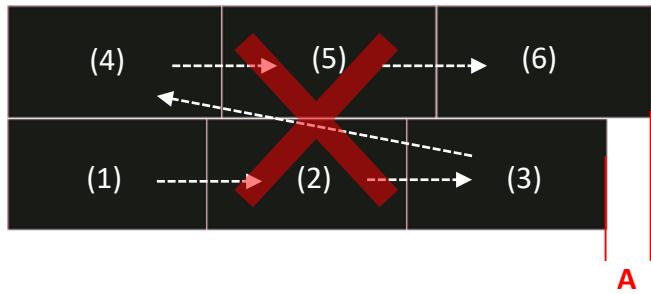
2. On Installation : 6) Reserve the GAP when installing(VHR-R)

- Detach the Black Gap Tape Guide in horizontal direction



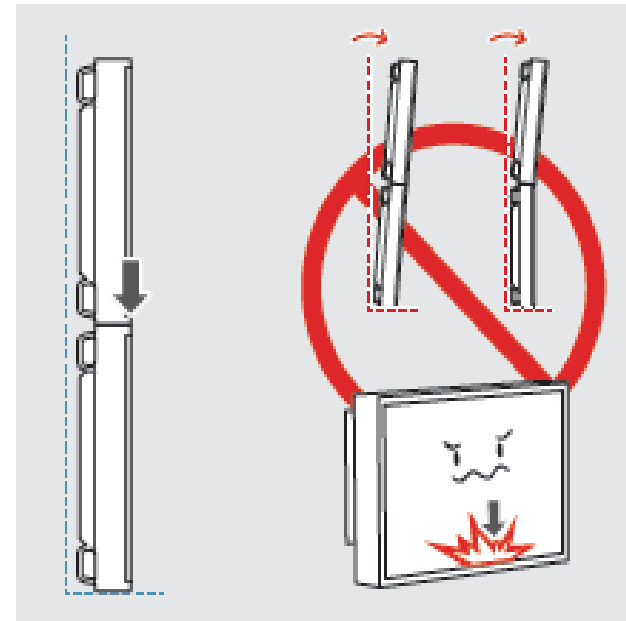
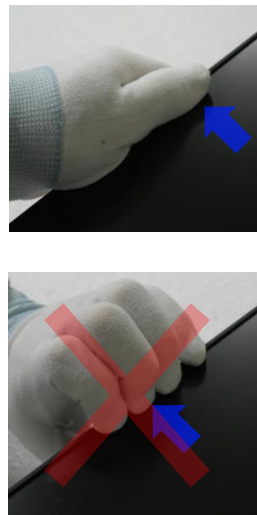
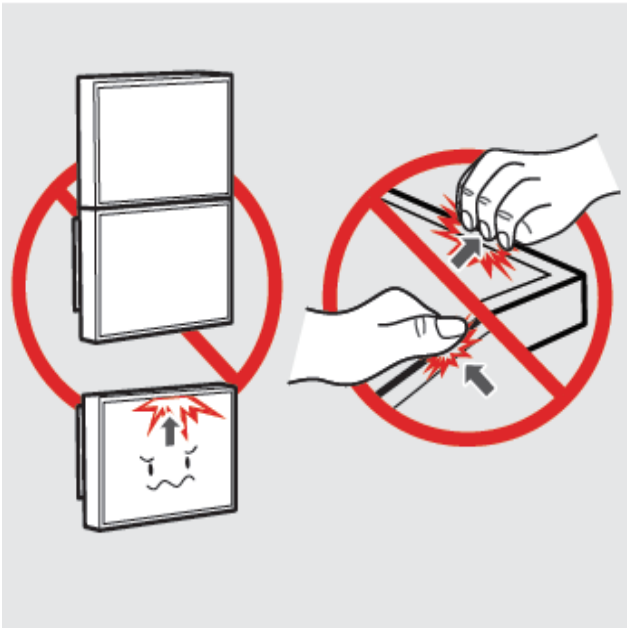
2. On Installation : 7) Cautions During Stacking(1/2)

- The products on centers should be always located on center side
- Bottom center → Bottom right or left → Upper center → Upper right or left



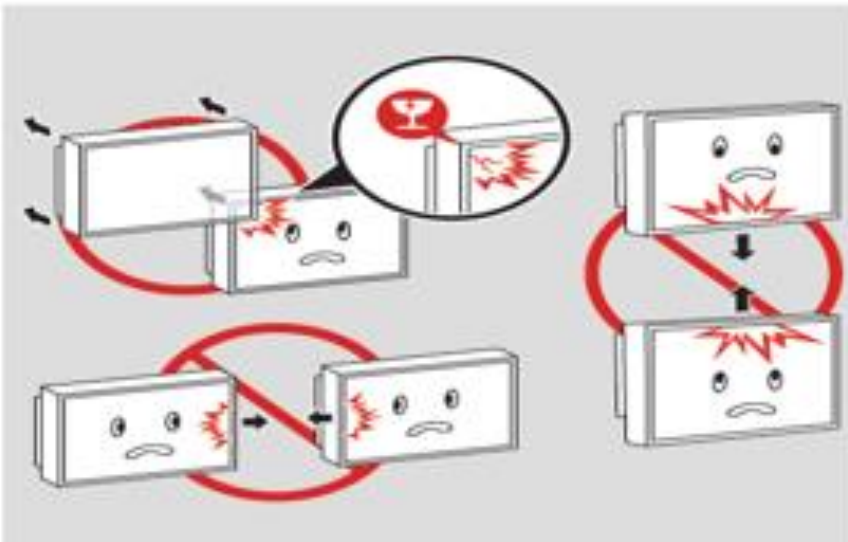
2. On Installation : 7) Cautions During Stacking(2/2)

- Do not stack two products simultaneously
- Do not hold the bezel when stacking
- Do not stack the upper product forward direction, all should be upright with 90 degree



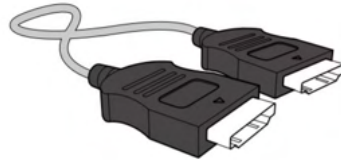
2. On Installation : 8) Wall-mount Alignment

- Be cautious to prevent panels from colliding each other and being damaged when adjusting panel positions in X,Y,Z-directions
- Be cautious to not push too strong when using Push-Pull Wall-Mount



2. On Installation : 9) Video signal cables

- Use the cables packed along with the products
- Use the cables officially certified and with below length recommendation
 - 55inch product: ~2 meters
 - 46inch product: ~1.5 meters



HDMI cable



DP cable

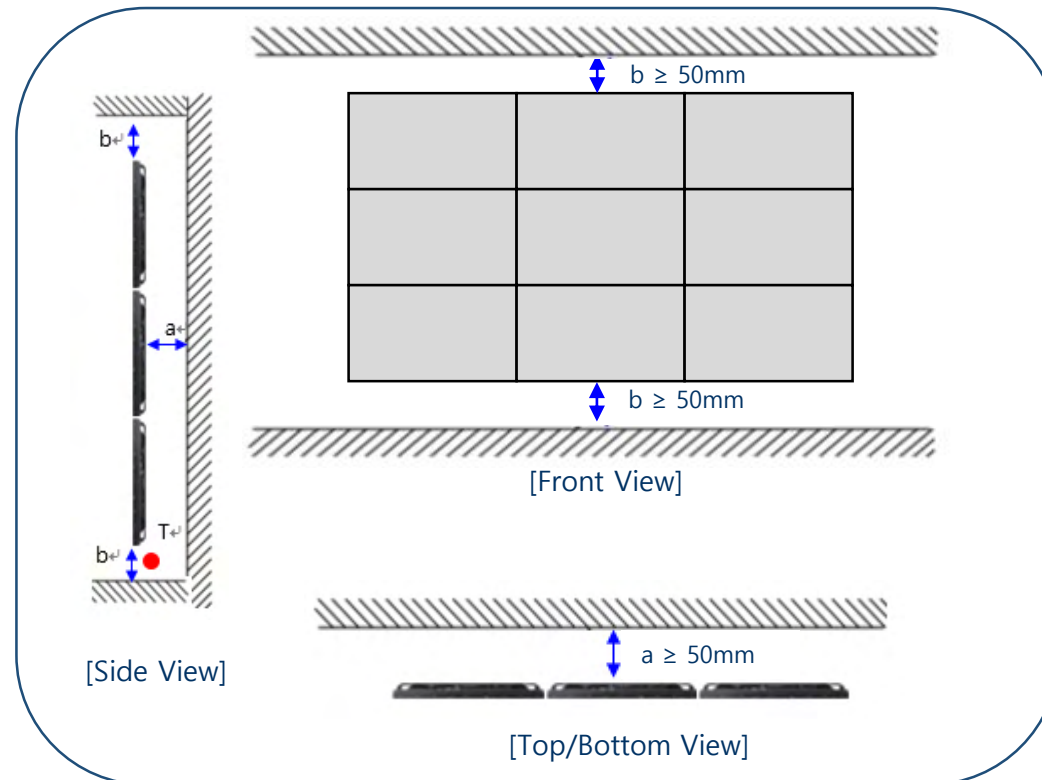
- Condition for UHD Color On & DP/HDMI Cable length
 - UHD contents can be played at max 25 units (5x5)
 - Use the DP Cable(DP1.2, packed with product) for Loop-out
 - UHD Color Menu
 - To play UHD source, UHD Color should be “On” at Menu setting of all products
 - These may depends on model. For more information, refer to the user manual of the respective model.

3. Thermal Guide

3. Thermal Guide

- Installation on a Perpendicular wall

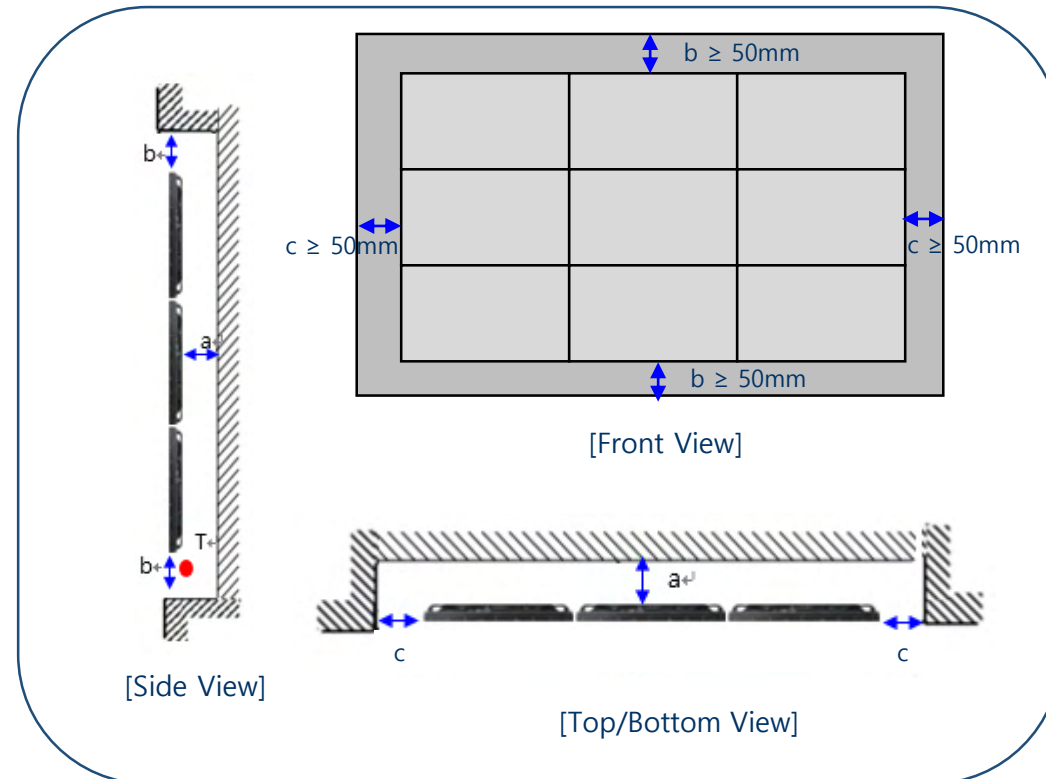
- Ambient temperature should be maintained under 30°C with ambient temperature measured at the location marked by red dot with 'T' in picture below.
- This guides are for video-wall matrix up to 5x5 or less. When number of vertical stacks should exceed 5($H \times V, V \geq 6$), please contact Samsung local presales and get guides from Samsung HQ.
- The clearances (a,b ≥ 50 mm) from walls around should be ensured as depicted picture below.
- In case of the installation which involves covering/masking up the openings /ventilation on left/right/top/bottom sides via any kind of mesh-type material or frames, please contact Samsung.
- Make sure Wall-mounts should not overlap ventilation on the products themselves.



3. Thermal Guide

- Installation on an Indented wall

- Ambient temperature should be maintained under 30°C with ambient temperature measured at the location marked by red dot with 'T' in picture below.
- This guides are for video-wall matrix up to 5x5 or less. When number of vertical stacks should exceed 5($H \times V$, $V \geq 6$) , please contact Samsung local presales and get guides from Samsung HQ.
- The clearances (a,b,c ≥ 50 mm) from walls around should be ensured as depicted picture below.
- In case of the installation which involves covering/masking up the openings /ventilation on left/right/top/bottom sides via any kind of mesh-type material or frames, please contact Samsung.
- Make sure Wall-mounts should not overlap ventilation on the products themselves.



SAMSUNG